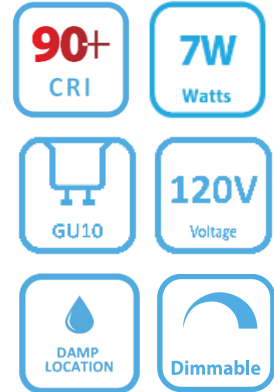




**50W**  
REPLACEMENT



High quality of light and color rendering (90+ CRI, 50+ R9),  
with low flicker, flicker <30%,  
Smooth dimming. Dimming lower than 10%.

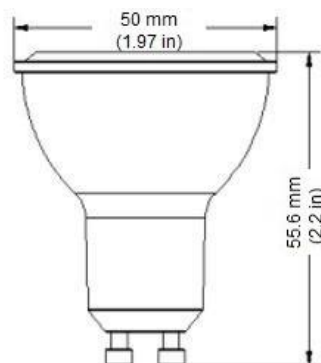


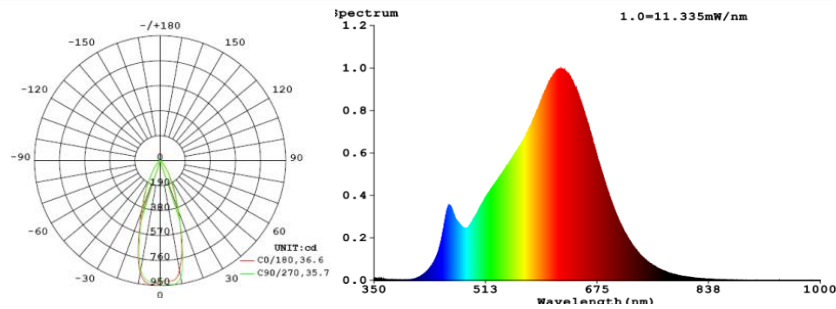
## ELECTRICAL SPECIFICATIONS

MODEL NO.	LUMEN	POWER	CCT	BEAM	CRI	PF	CBCP
SE-RL5.CI02.1107G	450LM	7W	2700K	40°	>90	>0.9	≥502cd

## MECHANICAL SPECIFICATIONS

MODEL NO.	MEASURES	WEIGHT	OPERATIONAL TEMPERATURE	INNER BOX QTY	MASTER CARTON QTY
SE-RL5.CI02.1107G	1.97in X 2.2in	1.93oz	-20°C - 40°C	10pcs	100pcs

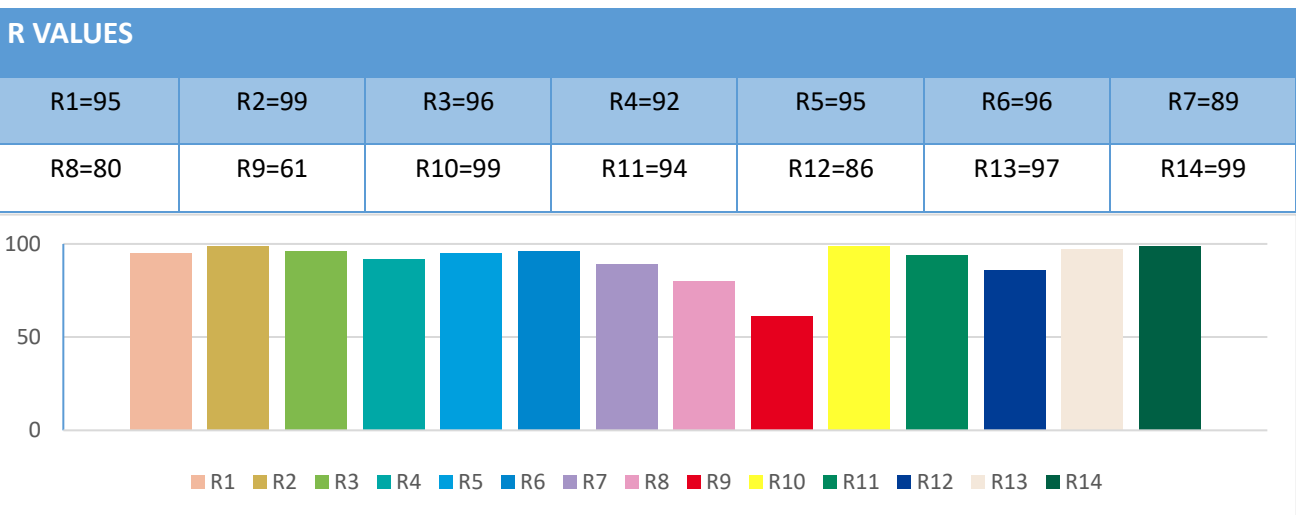




## RA – CHART: >90

RA refers to the average value of R1 to R8.

R9 is the score that represents how accurately a light source will reproduce strong red colors. "Accurate" is defined as similarity to daylight or incandescent bulbs, depending on the color temperature.



## TM30 GRAPHIC

TM-30 deals with the color rendition of object.

R<sub>f</sub>- a fidelity index that is similar to the commonly used CRI

R<sub>g</sub>- a gamut index that provides information about saturation

Color vector graphic- a graphical representation of hue and saturation relative to a reference source.

