



**35W**  
REPLACEMENT

**90+**  
CRI

**5W**  
Watts

GU5.3

**12V**  
Voltage

DAMP  
LOCATION

Dimmable

High quality of light and color rendering (90+ CRI, 50+ R9),  
with low flicker, flicker <30%,  
Smooth dimming. Dimming lower than 10%.

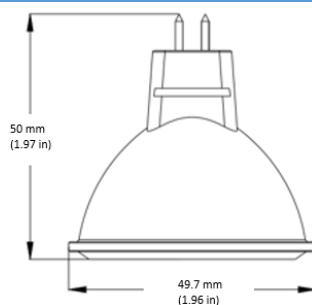


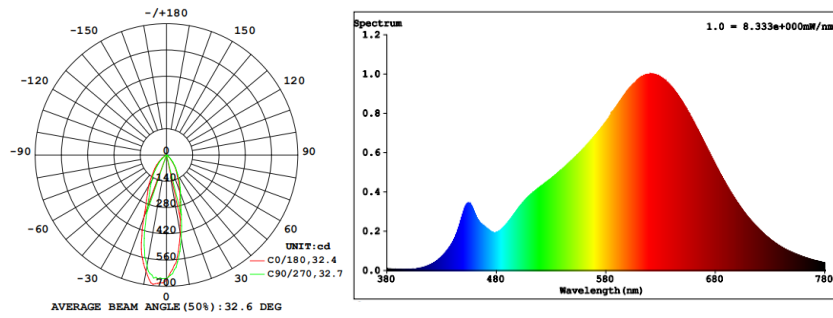
## ELECTRICAL SPECIFICATIONS

| MODEL NO.  | LUMEN | POWER | CCT   | BEAM | CRI | PF   | CBCP    |
|------------|-------|-------|-------|------|-----|------|---------|
| SE-350.164 | 365LM | 5W    | 2700K | 25°  | >90 | >0.9 | 696.1cd |
| SE-350.166 | 365LM | 5W    | 3000K | 25°  | >90 | >0.9 | 696.1cd |

## MECHANICAL SPECIFICATIONS

| MODEL NO.  | MEASURES        | WEIGHT | OPERATIONAL TEMPERATURE | INNER BOX QTY | MASTER CARTON QTY |
|------------|-----------------|--------|-------------------------|---------------|-------------------|
| SE-350.164 | 1.97in X 1.96in | 1.38oz | -20°C - 40°C            | 10pcs         | 100pcs            |
| SE-350.166 | 1.97in X 1.96in | 1.38oz | -20°C - 40°C            | 10pcs         | 100pcs            |





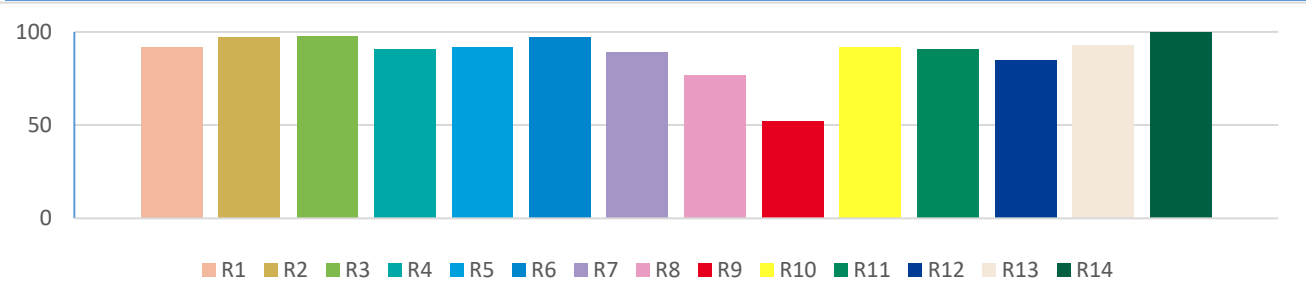
## RA – CHART: >90

RA refers to the average value of R1 to R8.

R9 is the score that represents how accurately a light source will reproduce strong red colors. "Accurate" is defined as similarity to daylight or incandescent bulbs, depending on the color temperature.

## R VALUES

|       |       |        |        |        |        |         |
|-------|-------|--------|--------|--------|--------|---------|
| R1=92 | R2=97 | R3=98  | R4=91  | R5=92  | R6=97  | R7=89   |
| R8=77 | R9=52 | R10=92 | R11=91 | R12=85 | R13=93 | R14=100 |



## TM30 GRAPHIC

TM-30 deals with the color rendition of object.

R<sub>f</sub> - a fidelity index that is similar to the commonly used CRI

R<sub>g</sub> - a gamut index that provides information about saturation

Color vector graphic- a graphical representation of hue and saturation relative to a reference source.

