



**SKU: SE-350.155**

<b>UL NO.</b>	E481445
<b>LIGHT OUTPUT</b>	500 lumens
<b>CCT</b>	3000K
<b>BEAM ANGLE</b>	25°
<b>CBCP</b>	2323 cd
<b>WATTAGE</b>	7W
<b>EFFICACY</b>	71 lm/W
<b>APPLICATION</b>	Incandescent replacement for indoor dry/damp applications. <b>Suitable for Use in Enclosed Fixtures.</b>

90+  
CRI

GU5.3

Dimmable

Damp

3000  
CCT

12V  
Voltage

7W  
Watts

### COLOR RENDERING: 93CRI, R9>50

### FLICKER <30%

High quality of light and low flicker, listed with California Energy Commission’s (CEC) JA8/Title 24 standard for quality of light, the most stringent in North America.

### ENERGY EFFICIENCY: 77 lm/W

### LONG LIFE: 25,000 hours.

Listed for energy efficiency by the CEC for Title 24, insuring high efficacy with a high quality of light.

- ✓ Rated lifetime to L70: 25,000 hours.
- ✓ Warranty: 3 years.

### CERTIFICATIONS AND APPROVALS

UL, ES, CEC JA8/TITLE24



### HIGHLY COMPATIBLE

Compatible with standard fixtures using an GU5.3 base.

### DIMMABLE

Smooth dimming with most existing installations. Dimmable to 1% when used with specific dimmers. See dimmer compatibility chart for details on operation and compatibility.

### INTENDED USE AND APPLICATIONS

50W incandescent replacement.

Intended for use in GU5.3 compatible existing fixtures.

Suitable for dry or damp locations.

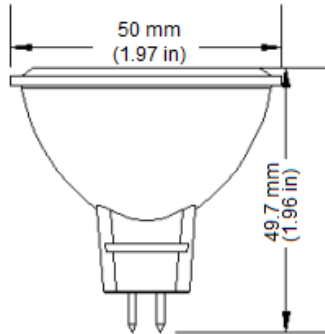
Not for use in fully enclosed fixtures.

Remove or do not use any optional glass lens in front of lamp.

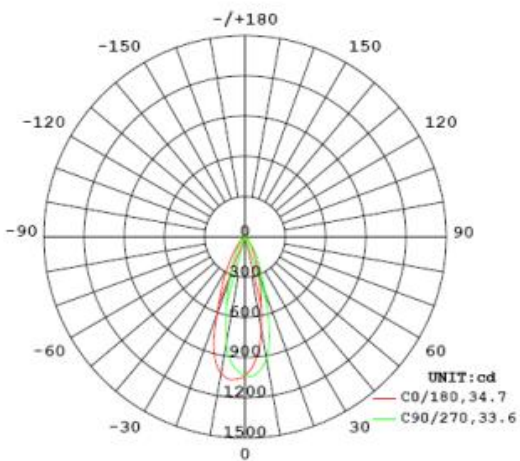
## GENERAL SPECIFICATIONS

Electrical Specifications		Operating Temperature	Mechanical Spec.
<b>Wattage:</b> 7W	<b>Voltage:</b> 12V	<b>Minimum:</b> -20°C	<b>Measures:</b> 1.97in X 1.96in
<b>Power Factor:</b> 0.9	<b>Frequency:</b> 60Hz	<b>Maximum:</b> 40°C	<b>Weight:</b> 1.38oz

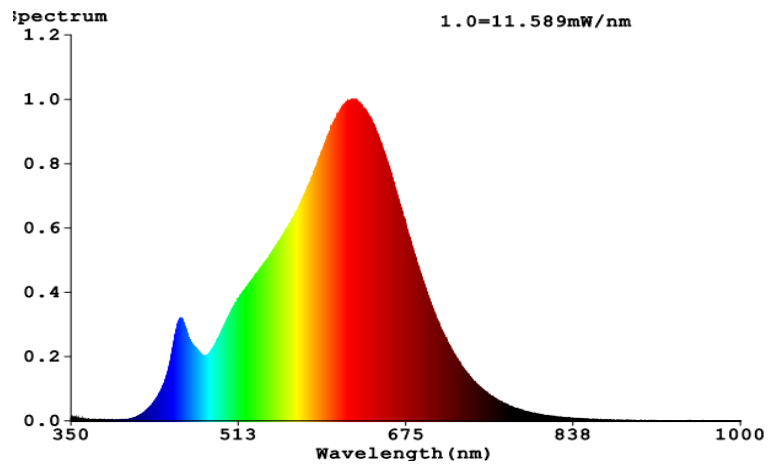
## DIMENSIONS



## LUMINOUS INTENSITY



## SPECTRAL DISTRIBUTION



## RA – CHART: 93

### CRI VALUES | R1-R15

