

90+ LIGHTING G16.5 AMBER 3.3W



SKU: SE-350.121



UL NO. E497084

OUTPUT 300 lumens

COLOR TEMPERATURE 2200K

DISTRIBUTION 360°

WATTS 3.3

EFFICACY 91 lm/W

APPLICATION Incandescent replacement for indoor dry/damp applications requiring high color quality and efficacy.

COLOR RENDERING: CRI>90, R9>50

High quality of light and low flicker.

ENERGY EFFICIENCY: 91 lm/W

LONG LIFE: 15,000 hours.

Listed for energy efficiency by the CEC for Title 20, insuring high efficacy with a high quality of light.

- ✓ Rated lifetime to L70: 15,000 hours.
- ✓ Warranty: 3 years or 15,000 hours., whichever occurs first.

CERTIFICATIONS AND APPROVALS

UL, CEC TITLE 20



HIGHLY COMPATIBLE

Compatible with standard fixtures using an E12 base.

DIMMABLE

Smooth dimming with most existing installations. Dimmable to 1% when used with specific dimmers. See dimmer compatibility chart for details on operation and compatibility.

INTENDED USE AND APPLICATIONS

40W incandescent replacement.

Intended for use in E12 compatible existing fixtures and table lamps.

Suitable for dry or damp locations.

Not for use in fully enclosed fixtures.

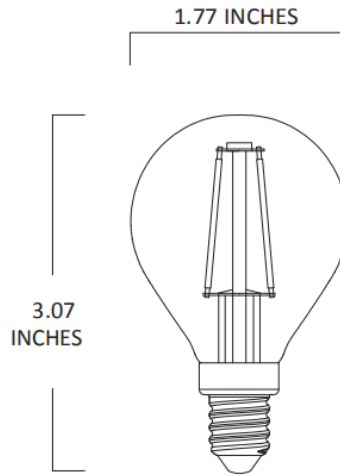
Remove or do not use any optional glass lens in front of lamp.

GENERAL SPECIFICATIONS

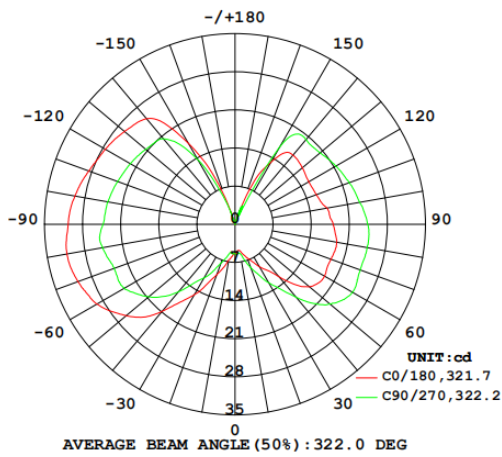
Electrical Specifications		Operating Temperature		Mechanical Spec.	
Wattage: 3.3W	Voltage: 120V	Minimum: -20°C		Measures: 1.77in X 3.07in	
Power Factor: >0.8	Frequency: 60Hz	Maximum: 40°C		Weight: 0.71oz	

90+ LIGHTING G16.5 AMBER 3.3W

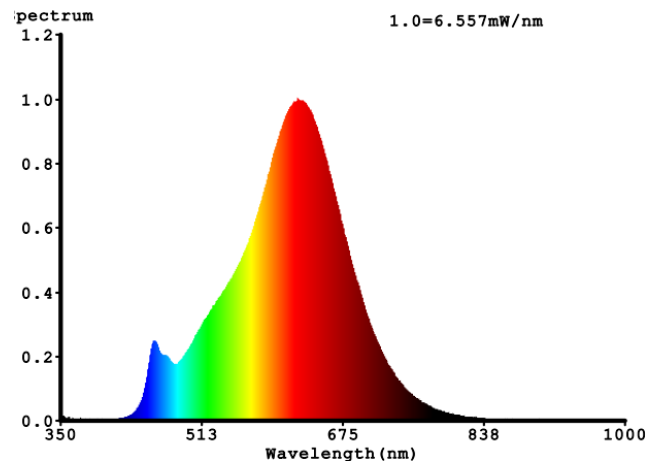
DIMENSIONS



Luminous Intensity



Spectral Distribution



RA – CHART: 92

CRI VALUES | R1-R15

