



SKU: SE-350.067

LIGHT OUTPUT	800 lumens
CCT	2700K
BEAM ANGLE	270°
WATTAGE	10 W
EFFICACY	80 lm/W
POWER FACTOR	0.9
APPLICATION	Incandescent replacement for indoor dry/damp applications.

90+
CRI

E26

Dimmable

Damp

2700
CCT

120V
Voltage

10W
Watts

COLOR RENDERING: CRI>90, R9>50

FLICKER <30%

High quality of light and low flicker, listed with California Energy Commission's (CEC) JA8/Title 24 standard for quality of light, the most stringent in North America.

ENERGY EFFICIENCY: 80 lm/W

LONG LIFE: 25,000 hours.

Listed for energy efficiency by the CEC for Title 20, insuring high efficacy with a high quality of light.

Lamps are also listed by Energy Star.

- ✓ Rated lifetime to L70: 25,000 hours.
- ✓ Warranty: 3 years.

CERTIFICATIONS AND APPROVALS

ETL, ES, CEC TITLE 20, CEC JA8/TITLE24



HIGHLY COMPATIBLE

Compatible with standard fixtures using an E26 base. Standard A19 form factor can be used with most table lamps.

DIMMABLE

Smooth dimming with most existing installations. Dimmable to 1% when used with specific dimmers. See dimmer compatibility chart for details on operation and compatibility.

INTENDED USE AND APPLICATIONS

60W incandescent replacement.

Intended for use in E26 compatible existing fixtures and table lamps.

Suitable for dry or damp locations.

Not for use in fully enclosed fixtures.

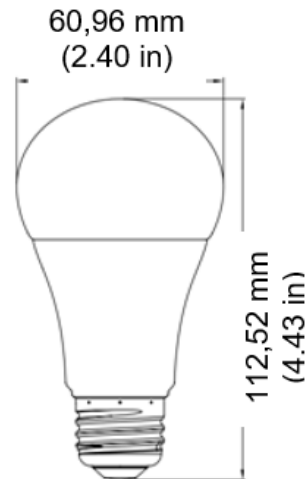
Remove or do not use any optional glass lens in front of lamp.

GENERAL SPECIFICATIONS

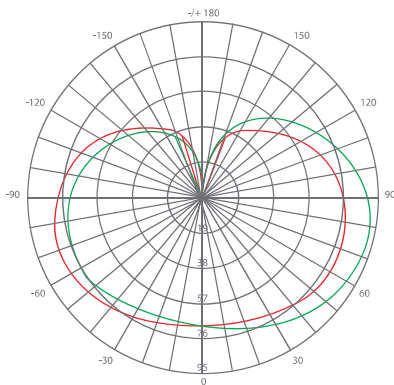
Electrical Specifications		Operating Temperature	Mechanical Spec.
Wattage: 10W	Voltage: 120V	Minimum: -20°C	Measures: 2.40in X 4.43in
Power Factor: 0.9	Frequency: 60Hz	Maximum: 40°C	Weight: 1.94oz

GENERAL SPECIFICATIONS

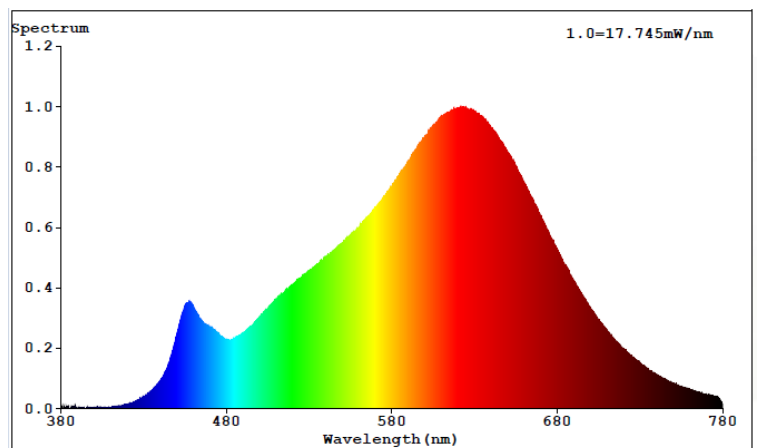
DIMENSIONS



Luminous Intensity



Spectral Distribution



Ra – Chart: >90

CRI VALUES | R1-R15

