



SKU: SE-350.058

- LIGHT OUTPUT** 720 lumens
- CCT** 5000K
- BEAM ANGLE** 100°
- WATTAGE** 10W
- EFFICACY** 72 lm/W
- POWER FACTOR** 0.9
- APPLICATION** Incandescent replacement for indoor dry/damp applications.
Suitable for Use in Enclosed Fixtures.

90+
CRI

E26

Dimmable

Damp

5000
CCT

120V
Voltage

10W
Watts

COLOR RENDERING: CRI>90, R9>50

FLICKER <30%

High quality of light and low flicker, listed with California Energy Commission's (CEC) JA8/Title 24 standard for quality of light, the most stringent in North America.

ENERGY EFFICIENCY: 72 lm/W

LONG LIFE: 30,000 hours.

Listed for energy efficiency by the CEC for Title 20, insuring high efficacy with a high quality of light.

Lamps are also listed by Energy Star.

- ✓ Rated lifetime to L70: 30,000 hours.
- ✓ Warranty: 3 years

CERTIFICATIONS AND APPROVALS

ETL, ES, CEC TITLE 20, CEC JA8/TITLE24



HIGHLY COMPATIBLE

Compatible with standard fixtures using an E26 base.

DIMMABLE

Smooth dimming with most existing installations. Dimmable to 1% when used with specific dimmers. See dimmer compatibility chart for details on operation and compatibility.

INTENDED USE AND APPLICATIONS

Intended for use in E26 compatible existing fixtures.

Suitable for dry or damp locations.

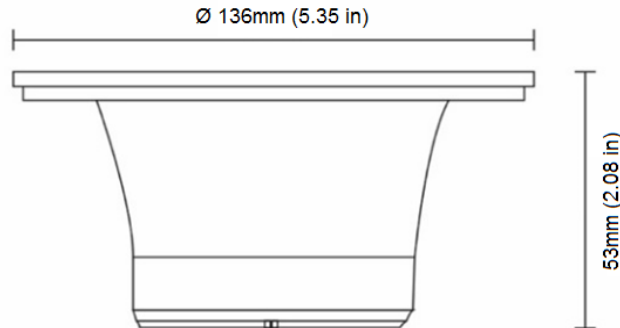
Not for use in fully enclosed fixtures.

Remove or do not use any optional glass lens in front of lamp.

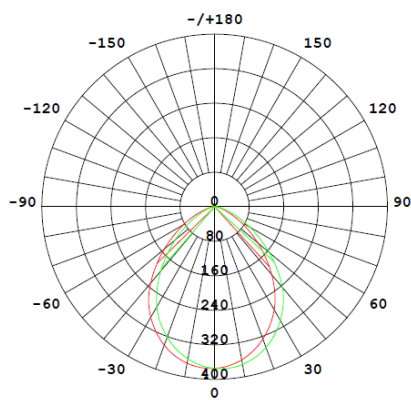
GENERAL SPECIFICATIONS

Electrical Specifications		Operating Temperature		Mechanical Spec.	
Wattage: 10W	Voltage: 120V	Minimum: -20°C		Measures: 5.35in X 2.08in	
Power Factor: 0.9	Frequency: 60Hz	Maximum: 60°C		Weight: 4.9oz	

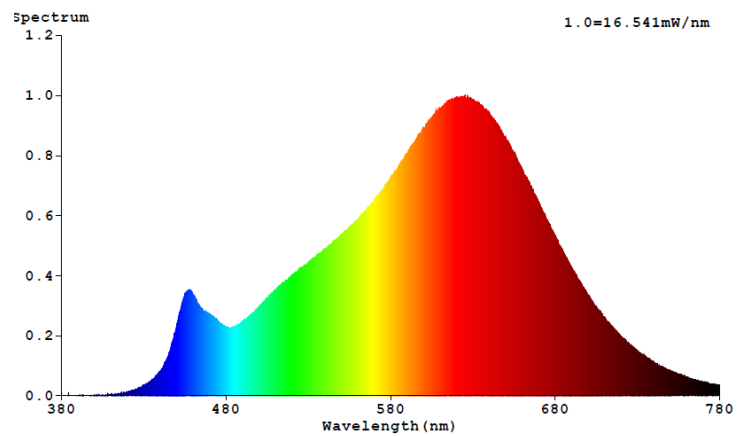
DIMENSIONS



LUMINOUS INTENSITY



SPECTRAL DISTRIBUTION



RA – CHART: >90

CRI VALUES | R1-R15

