

<b>UL NO.</b>	E481445
<b>OUTPUT</b>	800 lumens
<b>COLOR TEMPERATURE</b>	2700k
<b>DISTRIBUTION</b>	300°
<b>WATTS</b>	7
<b>EFFICACY</b>	114 lm/W
<b>APPLICATION</b>	Incandescent replacement for indoor dry/damp applications requiring high color quality and efficacy.

**SKU: SE-RCL06.1107-A**



### COLOR RENDERING: 80CRI, R9>0

High quality of light and low flicker.

**ENERGY EFFICIENCY: 114 lm/W**

**LONG LIFE: 15,000 hours.**

Listed for energy efficiency by Energy Star, insuring high efficacy with a high quality of light.

- ✓ Rated lifetime to L70: 15,000 hours.
- ✓ Warranty: 3 years or 15,000 hours., whichever occurs first.

### CERTIFICATIONS AND APPROVALS

UL, ES.



### HIGHLY COMPATIBLE

Compatible with standard fixtures using an E26 base.

### DIMMABLE

Smooth dimming with most existing installations. Dimmable to 1% when used with specific dimmers. See dimmer compatibility chart for details on operation and compatibility.

### INTENDED USE AND APPLICATIONS

75W incandescent replacement. Intended for use in E26 compatible existing fixtures and table lamps. Suitable for dry or damp locations. Not for use in fully enclosed fixtures. Remove or do not use any optional glass lens in front of lamp.

## GENERAL SPECIFICATIONS

### Operating Temperature

Minimum: -20° C  
 Typical: 25° C  
 Maximum: 40° C

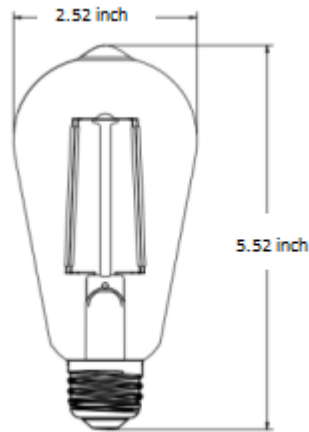
### Fact Form

Width: 2.52 inch  
 Height: 5.52 inch

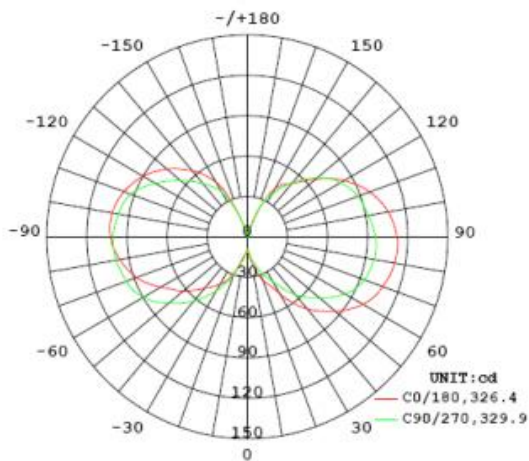
### Electrical

Wattage: 7W  
 Power factor: 0.7  
 Voltage: 120V +/- 12V  
 Frequency: 50/60Hz

## DIMENSIONS



## Luminous Intensity



## Spectral Distribution

